

TECHNOLOGY THAT INCREASES PRODUCTIVITY

BOARDER DISC HARROW



SOLIDWORKS

BOB SERIES

YOUR STRONGEST ALLY

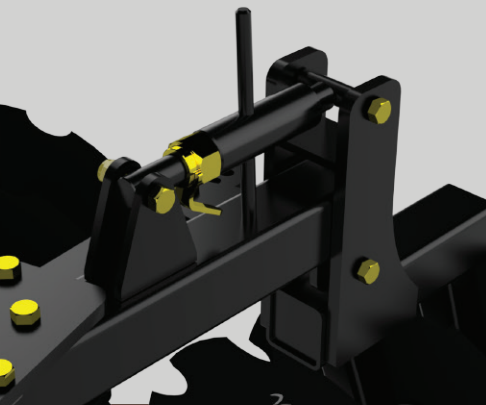




BISON

6 DISC BOARDER HARROW

BOB SERIES

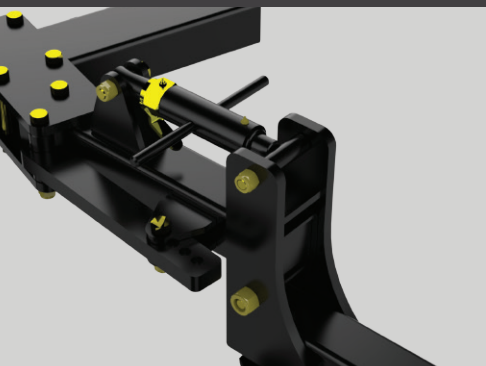


Main frame and disc brackets made of structural steel that offers great resistance to torsion.

Fine adjustment system that facilitates the rapid positioning of each disc section.



Four adjustment positions for the attack angle; 19 °, 37 °, 54 °, and 73 ° for different types of boards.



SPECIFICATIONS

BOB-06

Hitch		Integral cat. II
Discs	in	6 notched discs 26 x 1/4"
Working width	ft	4' 9" - 11' 2"
Approx. Weight	lbs	1014
Required power	hp	80-90

* Tecnomec Agrícola, S.A. de C.V. reserves the right to make any changes deemed necessary to the specifications without prior notice.

* Some pictures may include options that are not a part of the standard equipment.

Contact your BISON dealer for more info and other available options.

www.bison.com.mx



Carretera a Paso Blanco Km. 2 No. 400 / Col. Vista Hermosa C.P. 20905
Jesús María, Aguascalientes, México
Tel. (449) 92-BISON / Fax. (449) 922 4767